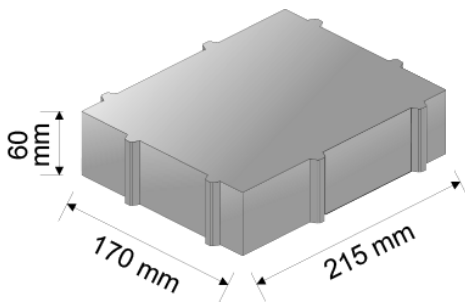


# Product Specification

## Permeable Paving

Permeable paving allows rain to drain between paving stones. As a result it both provides a seamless appearance, and reduces urban run-off, a major area of environmental concern.

Barleystone have released a line of permeable paving that is attractive, durable, and complies with SuDS and low-environmental-impact building practice.



**Thickness:** 60mm and 80mm all domestic and paving applications.

**Laying Patterns:** Stretcher Bond (Cobble); Stretcher Bond, Herringbone and Basket Weave (Larchfield).

**Spacing:** Extra tall 3mm nibs on all edges to allow rainwater to flow to substrate.

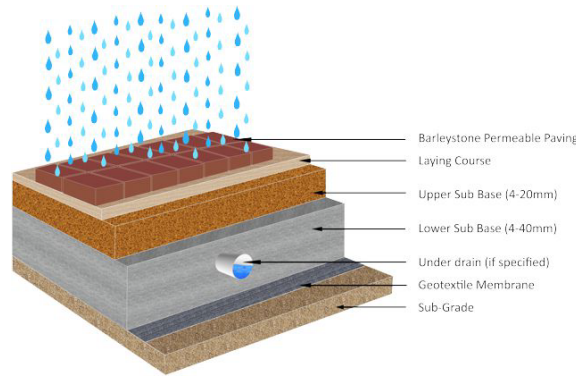
**Finish:** Tumbled finish, in cobble or smooth.

### Drainage Void Width:

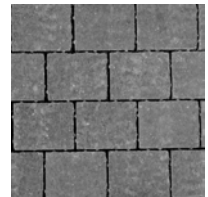
|                  |  |
|------------------|--|
| 60mm Larchfield: | 5.3% accommodate correct grid grading, reduced maintenance & maximise drainage flow  |
| 60mm Cobble:     | 5.66% accommodate correct grid grading, reduced maintenance & maximise drainage flow |
| 80mm Smooth:     | 6.5% accommodate correct grid grading, reduced maintenance & maximise drainage flow  |

### Permeability:

|              |                           |
|--------------|---------------------------|
| 60mm LF:     | 30,740 litres/sec/hectare |
| 60mm Cobble: | 32,828 litres/sec/hectare |
| 80mm Smooth: | 37,700 litres/sec/hectare |



### Colours



Damson



Chestnut



Mulberry

| Product                       | Brick Size mm          | Colours Available          | No per Sq.m | No per pack | m <sup>2</sup> per slice | Pack Size Sq.m | Pack Weight Kgs | No Packs per Artic | Sq.m per Arctic Load |
|-------------------------------|------------------------|----------------------------|-------------|-------------|--------------------------|----------------|-----------------|--------------------|----------------------|
| <b>60mm Larchfield</b>        | 200x100x60             | Made to Order              | 50          | 384         | 1.28                     | 7.68           | 1100            | 25                 | 200                  |
| <b>80mm Larchfield</b>        | 200x100x80             | Made to Order              | 50          | 384         | n/a                      | 10             | 1800            | 16                 | 160                  |
| <b>60mm Domestic Cobble</b>   | 215x170x60             | Damson, Chestnut, Mulberry | 28          | 224         | 1.17                     | 8              | 1100            | 25                 | 200                  |
| <b>80mm Commercial Smooth</b> | 240x120x80 Machine Lay | Made to Order              | 35          | 60*<br>320  | n/a                      | 10             | 1800            | 16                 | 160                  |

\*half bricks: 320 full bricks & 60 half bricks per bale

### Raw Materials:

Sand, Cement, Stone and Pigment

### Manufacturing Process:

Hydraulically pressed

### Manufacturing Standards:

Manufactured to BS EN 1338:2003

### Installation:

Installed to BS 7533-3:2005

### Performance Criteria:

Strength: > 3.6MPa or 250 N/mm

### Application:

Please refer to Health & Safety Data Sheets.

### Manufacturing Standards:

All Barleystone products are manufactured to meet and exceed BS and European Standards.

### Quality Systems:

Barleystone paving blocks undergo testing to standard EN 1338:2003 and are covered by CE certification.