



Product Specification

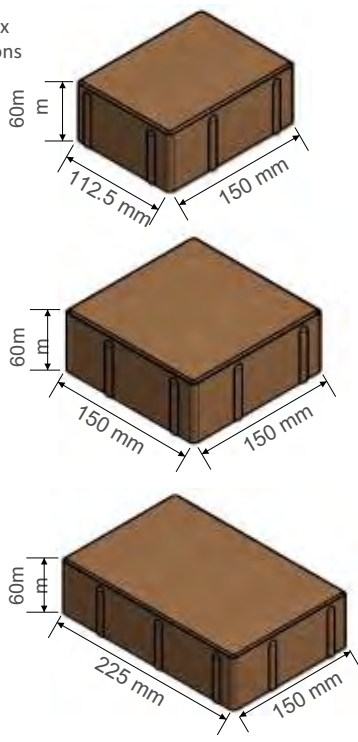
Castle pave Smooth

Dynamic symmetrical lines and technically exact, with pencil edge chamfers from elegant sharp joints.
Castle pave Smooth Paving delivers a smart, contemporary appearance to any residential or commercial paving project.



Castle pave Smooth 3-Size Mix
Damson with Birch Border

3-Size Mix
Dimensions



Feature: 3-size mix. Each pack contains a 3:2:1 ratio of sizes eliminating the need for multiple packs. Each slice within a pack contains exactly 1 square meter of brick so there is no need to split packs for small orders

Thickness: 60mm thick brick, ready for heavy vehicular traffic

Use cases: Driveways and footpaths - all domestic and commercial paving applications

Laying Patterns: Barleystone 3-size mix layout

Chamfer: Each block has a pencil line chamfer on all top surfaces

Spacing nibs: 1.5mm nibs on all four edges to give an accurate joint width

Finishes and colours: Standard finish in 9 colour options

Kerbs: Complimentary kerb range available

Colours



| Product | Brick Size mm | Colours Available | No per Sq.m | No per pack | m ² per slice | Pack Size Sq.m | Pack Weight Kgs | No Packs per Artic | Sq.m per Arctic Load |
|-----------------------------|--|---|------------------|------------------|--------------------------|----------------|-----------------|--------------------|----------------------|
| 60mm Large | 225x150x60 | Damson & Birch | 29.63 | 250 | 1.68 | 8.43 | 1160 | 24 | 202.5 |
| 60mm 3 Size Mix Pack | 225x150x60 150x150x60 112.5x150x60 | Maple, Damson, Sycamore, Chestnut, Birch, Mulberry, Walnut, Silver Grey, Ashblend | 17* 14* 6* | 136 112 48 | 1 | 8 | 1100 | 25 | 200 |

*= as part of 3 mix total

Raw Materials:
Sand, Cement, Stone and Pigment

Manufacturing Process:
Hydraulically pressed

Manufacturing Standards:
Manufactured to BS EN 1338:2003

Installation:
Installed to BS 7533-3:2005

Performance Criteria:
Strength: > 3.6MPa or 250 N/mm

Application:
Please refer to Health & Safety Data Sheets.

Manufacturing Standards:
All Barleystone products are manufactured to meet and exceed BS and European Standards.

Quality Systems:
Barleystone paving blocks undergo testing to standard EN 1338:2003 and are covered by CE certification.