



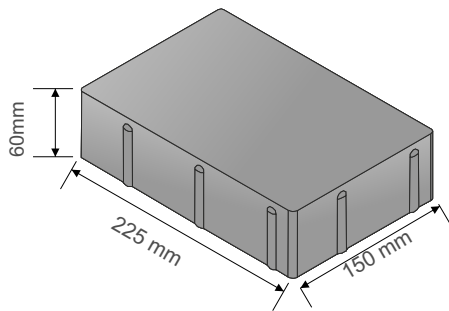
Product Specification

Granite Paving

Capturing the classic sparkle of granite in a brick which will provide you with a elegant, timeless aesthetic that is durable and maintainable.
Using Irish granite aggregate, manufactured using industry leading processes and shot blasted to provide a great grip for foot traffic.



Granite Grey



Thickness: 60mm

Use: Driveways and footpaths - domestic and commercial paving applications.

Laying Patterns: Stretcher bond

Spacing nibs: 1.5mm nibs are on all edges to give an accurate joint width

Finishes and colours: Textured granite aggregate finish in 2 colour options.

Colours



Black



Grey



Granite - Grey with Black Edging

Product	Brick Size mm	Colours Available	No per Sq.m	No per pack	m ² per slice	Pack Size Sq.m	Pack Weight Kgs	No Packs per Artic	Sq.m per Arctic Load
60mm	225x150x60	Grey, Black	29.63	250	1.68	8.43	1160	24	202.5

Raw Materials:

Granite, Sand, Stone, Cement, Pigment

Manufacturing Process:

Hydraulically pressed

Manufacturing Standards: Manufactured to BS EN 1338:2003

Installation:

Installed to BS 7533-3:2005

Performance Criteria:

Strength: > 3.6MPa or 250 N/mm

Application:

Please refer to Health & Safety Data Sheets.

Manufacturing Standards:

All Barleystone products are manufactured to meet and exceed BS and exceed BS and European Standards.

Quality Systems:

Barleystone paving blocks undergo testing to standard EN 1338:2003 and are covered by CE certification.