



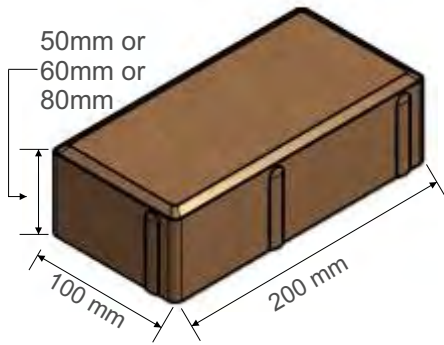
Product Specification

Larchfield Original

Larchfield Original is our classic rectangular shaped paving brick. Laying patterns can be chosen allowing various installation designs that will remain stylish and attractive.



Larchfield Maple with Damson Edging



Larchfield Birch

Thickness: 3 thicknesses to suit various trafficking requirements - 50, 60, 80 mm. Commercial 80mm is special order and machine ready lay.

Use: Roads and footpaths on domestic, commercial and industrial paving applications.

Laying Patterns: Suitable for various laying patterns including Herringbone, Stretcher bond and Basket weave

Spacing nibs: 1.5mm nibs are on all edges to give an accurate joint width

Chamfer: Each block has a pencil line chamfer on all top surfaces.

Finishes and colours: Standard finish in 9 colour options.

Kerbs: Complimentary kerb range available

Colours



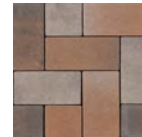
Maple



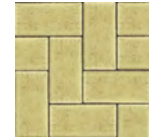
Damson



Juniper



Sycamore



Buff



Rowen



Brindle



Birch



Chestnut

Product	Brick Size mm	Colours Available	No per Sq.m	No per pack	m ² per slice	Pack Size Sq.m	Pack Weight Kgs	No Packs per Artic	Sq.m per Arctic Load
50mm	200x100x50	Damson, Birch, Maple, Chestnut, Buff, Rowen, Brindle, Juniper, Sycamore	50	480	1.6	9.6	1160	24	230.4
60mm	200x100x60	Damson, Birch, Maple, Chestnut, Buff, Rowen, Brindle, Juniper, Sycamore	50	384	1.28	7.68	1110	25	200
80mm	200x100x80	Made to Order	50	480	n/a	9.6	1730	16	153.6

Raw Materials:
Sand, Cement, Stone and Pigment

Manufacturing Process:
Hydraulically pressed

Manufacturing Standards:
Manufactured to BS EN 1338:2003

Installation:
Installed to BS 7533-3:2005

Performance Criteria:
Strength: > 3.6MPa or 250 N/mm

Application:
Please refer to Health & Safety Data Sheets.

Manufacturing Standards:
All Barleystone products are manufactured to meet and exceed BS and exceed BS and European Standards.

Quality Systems:
Barleystone paving blocks undergo testing to standard EN 1338:2003 and are covered by CE certification.