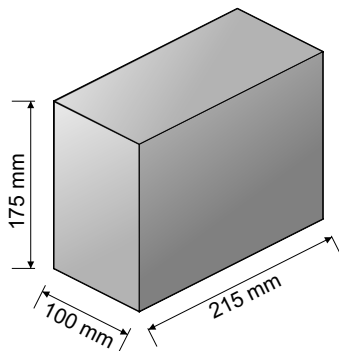


Product Specification

Standard Kerb



Standard rectangular decorative kerbs allow versatility in installing edging restraints. They can be laid in different orientations.



Use: Decorative kerbs for edge restraints

Laying: Can be laid in 3 different orientations

Finishes and colours: Tumbled or Smooth finish in 3 colour options.



Product	Brick Size mm	Colours Available	No per Ln.m	No per pack	Ln. M per slice	Ln. M per Pack	Pack Weight Kgs	No Packs per Artic	Sq.m per Arctic Load
Cobble / Smooth	215x175x100	Damson, Maple, Chestnut	4.65	196	6.02	42.14	1740	16	674.24

Raw Materials:
Sand, Cement, Stone and Pigment

Manufacturing Process:
Hydraulically pressed

Manufacturing Standards:
Manufactured to BS EN 1338:2003

Installation:
Installed to BS 7533-3:2005

Performance Criteria:
Strength: > 3.6MPa or 250 N/mm

Application:
Please refer to Health & Safety Data Sheets.

Manufacturing Standards:
All Barleystone products are manufactured to meet and exceed BS and exceed BS and European Standards.

Quality Systems:
Barleystone paving blocks undergo testing to standard EN 1338:2003 and are covered by CE certification.