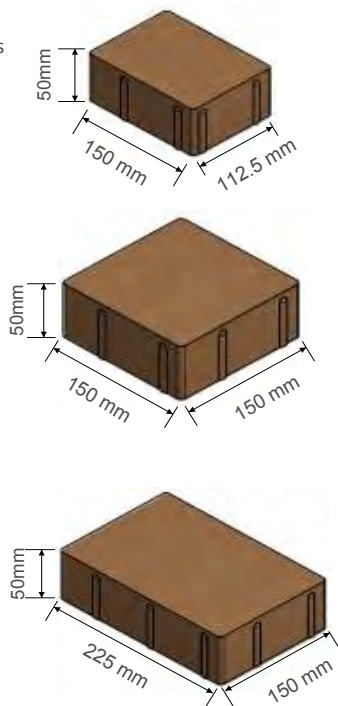


Product Specifications

Ashford

Ashford paving is a textured wavy-top paving especially suitable for gardens and pedestrian areas. Available in 3-size mix.

3-Size Mix
Dimensions



Thickness: 50mm

Use: Driveways (light vehicular use), footpaths - domestic paving applications.

Laying Patterns: 3-size mix.

Spacing nibs: 1.5mm nibs on all edges to give accurate joint width.

Finish: Pillow top finish.

Kerbs: Complimentary kerb range available.

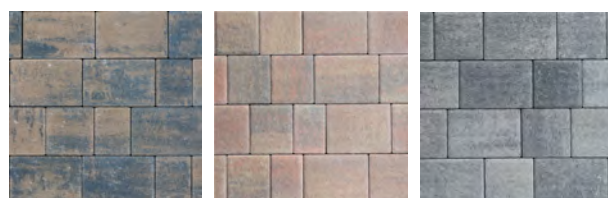


Ashford Juniper



Ashford Autumn

Colours



Autumn

Juniper

Silver Grey

Product	Brick Size mm	Colours Available	No per Sq.m	No per pack	Pack Size Sq.m	Pack Weight Kgs	No Packs per Artic	Sq.m per Arctic Load
50mm 3 Size Mix	225x150x50 150x150x50 112.5x150x50	Silver Grey, Juniper, Autumn	17* 14* 6*	170 140 60	10	1200	22	200

* as part of 3-size mix total

Raw Materials:

Sand, Cement, Stone and Pigment

Manufacturing Process:

Hydraulically pressed

Manufacturing Standards:

Manufactured to BS EN 1338:2003

Installation:

Installed to BS 7533-3:2005

Performance Criteria:

Strength: > 3.6MPa or 250 N/mm

Application:

Please refer to Health & Safety Data Sheets.

Manufacturing Standards:

All Barleystone products are manufactured to meet and exceed BS and exceed BS and European Standards.

Quality Systems:

Barleystone paving blocks undergo testing to standard EN 1338:2003 and are covered by CE certification.