

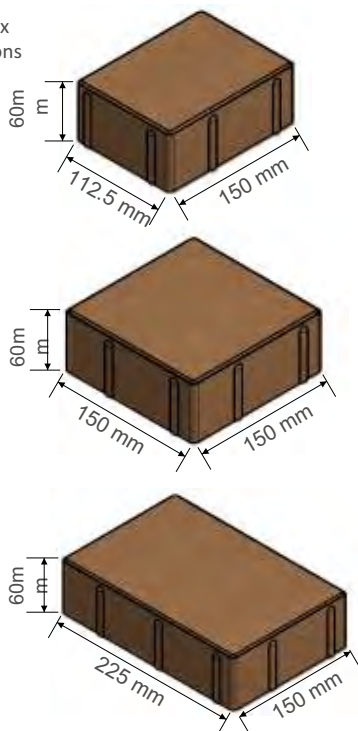
# Product Specification

## Castle pave Smooth

Dynamic symmetrical lines and technically exact, with pencil edge chamfers from elegant sharp joints.

Castle pave Smooth Paving delivers a smart, contemporary appearance to any residential or commercial paving project.

3-Size Mix Dimensions



**Feature:** 3-size mix. Each pack contains a 3:2:1 ratio of sizes eliminating the need for multiple packs. Each slice within a pack contains exactly 1 square meter of brick so there is no need to split packs for small orders

**Thickness:** 60mm thick brick, ready for heavy vehicular traffic

**Use cases:** Driveways and footpaths - all domestic and commercial paving applications

**Laying Patterns:** Barleystone 3-size mix layout

**Chamfer:** Each block has a pencil line chamfer on all top surfaces

**Spacing nibs:** 1.5mm nibs on all four edges to give an accurate joint width

**Finishes and colours:** Standard finish in 9 colour options

**Kerbs:** Complimentary kerb range available



Castle pave Smooth 3-Size Mix Damson with Birch Border

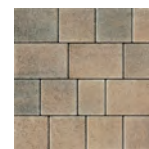
### Colours



Maple



Mulberry



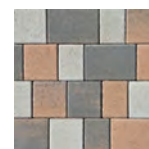
Walnut



Damson



Birch



Sycamore



Chestnut



Silver Grey



Ashblend

Product	Brick Size mm	Colours Available	No per Sq.m	No per pack	m <sup>2</sup> per slice	Pack Size Sq.m	Pack Weight Kgs	No Packs per Artic	Sq.m per Arctic Load
<b>60mm Large</b>	225x150x60	Damson & Birch	29.63	250	1.68	8.43	1160	24	202.5
<b>60mm 3 Size Mix Pack</b>	225x150x60 150x150x60 112.5x150x60	Maple, Damson, Sycamore, Chestnut, Birch, Mulberry, Walnut, Silver Grey, Ashblend	17* 14* 6*	136 112 48	1	8	1100	25	200

\*= as part of 3 mix total

### Raw Materials:

Sand, Cement, Stone and Pigment

### Manufacturing Process:

Hydraulically pressed

### Manufacturing Standards:

Manufactured to BS EN 1338:2003

### Installation:

Installed to BS 7533-3:2005

### Performance Criteria:

Strength: > 3.6MPa or 250 N/mm

### Application:

Please refer to Health & Safety Data Sheets.

### Manufacturing Standards:

All Barleystone products are manufactured to meet and exceed BS and exceed BS and European Standards.

### Quality Systems:

Barleystone paving blocks undergo testing to standard EN 1338:2003 and are covered by CE certification.