

# Product Specification

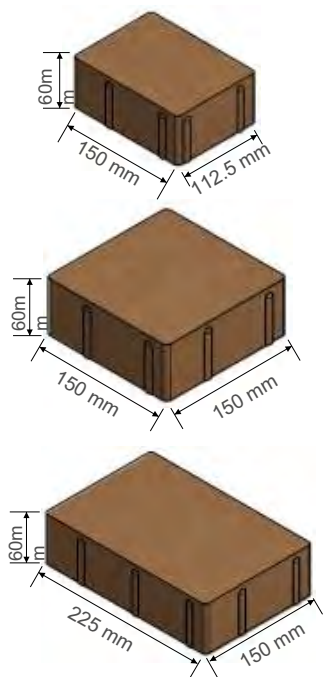
## Kingspave Cobble

Kingspave cobbled block paving collection captures the elegance of nostalgic old world charm. The block paving has a gently distressed surface to achieve a natural weathered appearance.



Kingspave Cobble Damson

3-Size Mix Dimensions



**Feature:** 3-size mix. Each pack contains the perfect 3:2:1 ratio eliminating the need for multiple packs. Each slice within a pack contains exactly 1sq meter so there is no need to split packs for small orders.

**Thickness:** Available in 60mm to suit driveways and heavily trafficked areas.

**Use:** Driveways and footpaths - all domestic and commercial paving applications.

**Laying Patterns:** Barleystone 3-Size mix layout

**Spacing nibs:** 1.5mm nibs are on all edges to give an accurate joint width

**Finishes and colours:** Tumbled finish in 10 colour options.

**Kerbs:** Complimentary kerb range available

### Colours



Product	Brick Size mm	Colours Available	No per Sq.m	No per pack	m <sup>2</sup> per slice	Pack Size Sq.m	Pack Weight Kgs	No Packs per Artic	Sq.m per Arctic Load
<b>60mm Large</b>	225x150x60	Damson, Birch	29.63	250	1.68	8.43	1160	24	202.5
<b>60mm 3 Size Mix Pack</b>	225x150x60 150x150x60 112.5x150x60	Maple, Mulberry, Sycamore, Chestnut, Birch, Damson, Walnut, Oak, Juniper, Silver Grey	17* 14* 6*	136 112 48	1	8	1100	25	200

\*= as part of 3 mix total

#### Raw Materials:

Sand, Cement, Stone and Pigment

#### Manufacturing Process:

Hydraulically pressed

#### Manufacturing Standards:

Manufactured to BS EN 1338:2003

#### Installation:

Installed to BS 7533-3:2005

#### Performance Criteria:

Strength: > 3.6MPa or 250 N/mm

#### Application:

Please refer to Health & Safety Data Sheets.

#### Manufacturing Standards:

All Barleystone products are manufactured to meet and exceed BS and exceed BS and European Standards.

#### Quality Systems:

Barleystone paving blocks undergo testing to standard EN 1338:2003 and are covered by CE certification.