

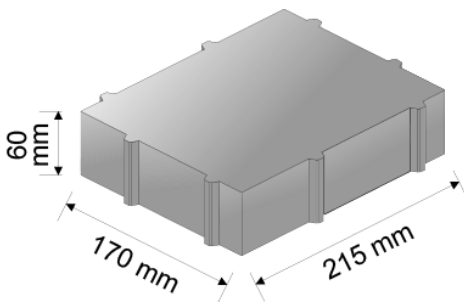
Product Specification

Permeable Paving



Permeable paving allows rain to drain between paving stones. As a result it both provides a seamless appearance, and reduces urban run-off, a major area of environmental concern.

Barleystone have released a line of permeable paving that is attractive, durable, and complies with SuDS and low-environmental-impact building practice.



Thickness: 60mm and 80mm all domestic and paving applications.

Laying Patterns: Stretcher Bond (Cobble); Stretcher Bond, Herringbone and Basket Weave (Larchfield).

Spacing: Extra tall 3mm nibs on all edges to allow rainwater to flow to substrate.

Finish: Tumbled finish, in cobble or smooth.

Drainage Void Width:

60mm & 80mm Larchfield: 5.3% accommodate correct grid grading, reduced maintenance & maximise drainage flow

60mm Cobble: 5.66% accommodate correct grid grading, reduced maintenance & maximise drainage flow

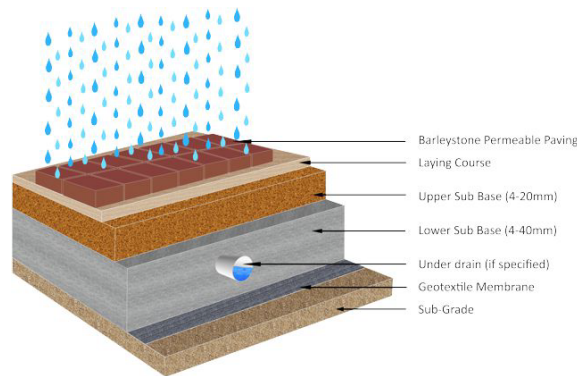
80mm Smooth: 6.5% accommodate correct grid grading, reduced maintenance & maximise drainage flow

Permeability:

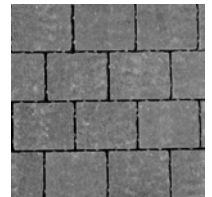
60mm & 80mm LF: 30,740 litres/sec/hectare

60mm Cobble: 32,828 litres/sec/hectare

80mm Smooth: 37,700 litres/sec/hectare



Colours



Damson



Chestnut



Mulberry

Product	Brick Size mm	Colours Available	No per Sq.m	No per pack	m ² per slice	Pack Size Sq.m	Pack Weight Kgs	No Packs per Artic	Sq.m per Arctic Load
60mm Larchfield <small>Heavy Domestic Use</small>	200x100x60	Made to Order	50	384	1.28	7.68	1100	25	200
80mm Larchfield <small>Commercial Use</small>	200x100x80	Made to Order	50	384	n/a	10	1800	16	160
60mm Domestic Cobble	215x170x60	Damson, Chestnut, Mulberry	28	224	1.17	8	1100	25	200
80mm Commercial Smooth	240x120x80 Machine Lay	Made to Order	35	60* 320	n/a	10	1800	16	160

*half bricks: 320 full bricks & 60 half bricks per bale

Raw Materials:

Sand, Cement, Stone and Pigment

Manufacturing Process:

Hydraulically pressed

Manufacturing Standards:

Manufactured to BS EN 1338:2003

Installation:

Installed to BS 7533-3:2005

Performance Criteria:

Strength: > 3.6MPa or 250 N/mm

Application:

Please refer to Health & Safety Data Sheets.

Manufacturing Standards:

All Barleystone products are manufactured to meet and exceed BS and European Standards.

Quality Systems:

Barleystone paving blocks undergo testing to standard EN 1338:2003 and are covered by CE certification.